

Eaton 9130 Rackmount UPS



Features

- Protects against downtime, data loss and process interruption by providing continuous, clean power
- Provides up to 3000 VA in only 2U of rack space
- Offers premium performance with a 0.9 power factor and >95 percent efficiency in high efficiency mode
- Increases battery service life and system uptime with ABM® battery charging technology
- Enables prolonged runtime of essential equipment during power outages by allowing for orderly, remote shutdown of non-critical systems or processes
- Ensures data and system integrity with LanSafe® power management software
- Provides a two-year limited warranty, an extended warranty, on-site Flex and on-site PowerTrust service contracts, and a \$250,000 load protection guarantee (U.S. and Canada)

Product snapshot

- Product rating:** 700–3000 VA
Voltage 120 Vac, 208–240V
Frequency: 50/60 Hz (auto-sensing)
Configuration: Rackmount

Advanced power protection for:

- IT and networking environments
- Rack servers, networking gear
- Telecommunications, VoIP, security systems
- Medical systems
- Diagnostics and medical screening
- Patient record archives
- Manufacturing systems
- Chip fabrication
- Pharmaceutical production
- Chemical processing

Maximum availability

- ABM technology increases battery life and system uptime
- Load segments allow for selective load shedding during outages
- Optional 2U, hot-swappable extended battery modules (EBMs) extend backup runtime for hours
- Internal hot-swappable batteries can be replaced without powering down the UPS
- UPS startup on battery power
- Optional HotSwap Maintenance Bypass (MBP) enables the entire UPS to be serviced or replaced without interrupting power to loads

Low total cost of ownership

- More real output power for dollar spent with 0.9 power factor
- Cuts energy usage and costs with >95% efficiency rating in high efficiency mode
- 3000 VA in only 2U of space saves expensive data center real estate



Hot-swappable internal batteries in only 2U



Add up to four EBM's for hours of runtime

UPS status and operation

- Bright, front panel LCD for easy monitoring and management
- LEDs to show system status
- Optional FlexPDU adds more plug-and-play flexibility, streamlining power distribution
- Multiple options for industry-standard communications
- LanSafe® monitoring and management software included free of charge
- Free NetWatch 5.0 software enables automatic shutdown of UPS-protected devices
- Direct monitoring via existing management systems and LANs

Communications

- A standard communication slot accepts interfaces for Web, SNMP, Modbus or serial connectivity
- Connect directly to the Ethernet network and the Internet to monitor and manage the UPS with a standard Web browser
- Monitor power conditions in real time through existing facilities or building management system
- Monitor and gracefully shut down multiple servers running various operating systems
- Receive alarm notifications from the UPS, environmental monitoring devices or security systems

For more information on the 9130, please visit www.eaton.com/9130rm or call **800.356.5794**.



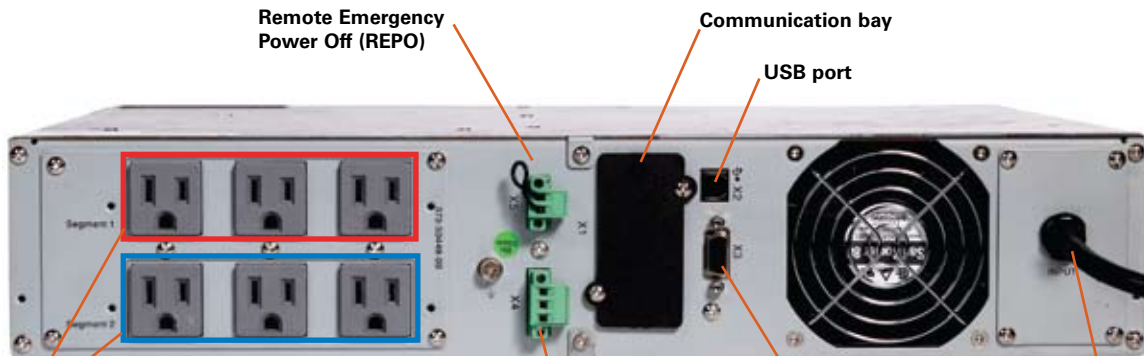
Eaton NetWatch Client 5.0 has tested compatible with Cisco Unified Communications Manager 4.3. Go to www.eaton.com/PQ/cisco for disclaimer.



Optional FlexPDU and HotSwap MBP for greater flexibility and uptime



Four-post rail kits included



Two individually controlled load segments

Remote Emergency Power Off (REPO)

Communication bay

USB port

Standard relay output contact

RS-232 port

Line cord with 5-15P

UPS rear panel (PW9130L1500R-XL2U)

Battery runtimes (in minutes)

Load (VA/Watts)	Internal batteries	w/1 EBM	w/2 EBMs	w/3 EBMs	w/4 EBMs
PW9130L700R-XL2U					
700/490	14	55	102	148	175
525/368	20	77	140	179	239
350/245	32	124	189	282	414
175/123	64	200	395	552	739
PW9130L1000R-XL2U					
1000/700	10	40	73	108	149
750/525	13	58	101	152	219
500/350	24	85	172	249	304
250/175	48	190	310	451	569
PW9130G1000R-XL2U / XL2UEU / PW9130i1000R-XL2U					
1000/700	10	40	78	110	150
750/525	13	55	103	151	223
500/350	22	82	186	250	312
250/175	47	190	328	431	584
PW9130L1500R-XL2U					
1500/1050	7	34	63	88	135
1125/788	11	44	84	129	210
750/525	18	79	148	207	267
375/263	38	167	278	475	540
PW9130i1500R-XL2U					
1500/1050	7	32	61	98	128
1125/788	11	47	83	126	195
750/525	18	81	143	208	262
375/263	38	171	298	416	564
PW9130L2000R-XL2U					
2000/1400	9	45	86	124	163
1500/1050	14	66	115	165	225
1000/700	26	101	185	251	343
500/350	52	197	353	481	629

Load (VA/Watts)	Internal batteries	w/1 EBM	w/2 EBMs	w/3 EBMs	w/4 EBMs
PW9130G2000R-XL2U / PW9130G2000R-XL2UEU / PW9130i2000R-XL2U					
2000/1400	9	46	83	118	163
1500/1050	13	64	118	170	221
1000/700	25	95	190	242	345
500/350	53	205	346	488	625
PW9130L2500R-XL2U					
2500/2250	7	31	59	87	119
1875/1688	10	43	81	121	154
1250/1125	17	65	120	163	203
625/563	40	145	228	363	491
PW9130G2500R-XL2U / PW9130G2500R-XL2UEU					
2500/2250	7	31	59	87	119
1875/1688	10	43	81	121	154
1250/1125	17	65	120	163	203
625/563	40	145	228	363	491
PW9130L3000R-XL2U					
3000/2100	5	25	48	72	100
2250/1575	8	37	72	102	137
1500/1050	13	60	100	165	223
750/525	34	138	228	326	438
PW9130G3000R-XL2U / PW9130G3000R-XL2UEU / PW9130i3000R-XL2U					
3000/2100	6	25	45	68	96
2250/1575	8	34	70	96	130
1500/1050	14	62	92	156	211
750/525	34	130	212	355	442

Notes:
 Backup times are approximate and may vary with equipment, configuration, battery age, temperature, etc.
 Runtimes are shown at a 0.7 power factor.

9130 models

Catalog number	Style number	Rating (VA/Watts)	Input connection ¹	Output receptacles	Dimensions H x W x D, in (mm) ²	Weight, lb (kg)
North American models: 120V, 50/60 Hz						
PW9130L700R-XL2U	103006447-6591	700/630	5-15P	(6) 5-15R	3.4 x 17.2 x 17.7 (87 x 438 x 450)	35.3 (16.0)
PW9130L1000R-XL2U	103006448-6591	1000/900	5-15P	(6) 5-15R	3.4 x 17.2 x 17.7 (87 x 438 x 450)	35.3 (16.0)
PW9130L1500R-XL2U	103006449-6591	1500/1350	5-15P	(6) 5-15R	3.4 x 17.2 x 17.7 (87 x 438 x 450)	43.0 (19.5)
PW9130L2000R-XL2U	103006450-6591	2000/1800	5-20P	(6) 5-20R, (1) L5-20R	3.4 x 17.2 x 23.6 (87 x 438 x 600)	63.9 (29.0)
PW9130L2500R-XL2U	103006451-6591	2500/2250	L5-30P	(6) 5-20R, (1) L5-30R	3.4 x 17.2 x 23.6 (87 x 438 x 600)	65.0 (29.5)
PW9130L3000R-XL2U	103006452-6591	3000/2700	L5-30P	(6) 5-20R, (1) L5-30R	3.4 x 17.2 x 23.6 (87 x 438 x 600)	65.0 (29.5)
Global models: 208V, 50/60 Hz						
PW9130G1000R-XL2U	103006461-6591	1000/900	L6-20P ³	(1) L6-20R, (2) 6-20R	3.4 x 17.2 x 17.7 (87 x 438 x 450)	35.3 (16.0)
PW9130G2000R-XL2U	103006462-6591	2000/1800	L6-20P ³	(1) L6-20R, (4) 6-20R	3.4 x 17.2 x 23.6 (87 x 438 x 600)	63.9 (29.0)
PW9130G2500R-XL2U	103006453-6591	2500/2250	L6-20P ⁴	(1) L6-30R, (1) L6-20R, (2) 6-20R	3.4 x 17.2 x 23.6 (87 x 438 x 600)	65.0 (29.5)
PW9130G3000R-XL2U	103006454-6591	3000/2700	L6-20P ⁴	(1) L6-30R, (1) L6-20R, (2) 6-20R	3.4 x 17.2 x 23.6 (87 x 438 x 600)	65.0 (29.5)
PW9130G1000R-XL2UEU	103006480-6591	1000/900	L6-20P ³	(6) C13	3.4 x 17.2 x 17.7 (87 x 438 x 450)	35.3 (16.0)
PW9130G2000R-XL2UEU	103006481-6591	2000/1800	L6-20P ³	(8) C13, (1) C19	3.4 x 17.2 x 23.6 (87 x 438 x 600)	63.9 (29.0)
PW9130G2500R-XL2UEU	103006482-6591	2500/2250	L6-20P ⁴	(8) C13, (1) C19	3.4 x 17.2 x 23.6 (87 x 438 x 600)	65.0 (29.5)
PW9130G3000R-XL2UEU	103006483-6591	3000/2700	L6-20P ⁴	(8) C13, (1) C19	3.4 x 17.2 x 23.6 (87 x 438 x 600)	65.0 (29.5)
International models: 230V, 50/60 Hz						
PW9130i1000R-XL2U	103006455-6591	1000/900	C14	(6) C13	3.4 x 17.2 x 17.7 (87 x 438 x 450)	35.3 (16.0)
PW9130i1500R-XL2U	103006456-6591	1500/1350	C14	(6) C13	3.4 x 17.2 x 17.7 (87 x 438 x 450)	43.0 (19.5)
PW9130i2000R-XL2U	103006457-6591	2000/1800	C14	(8) C13, (1) C19	3.4 x 17.2 x 23.6 (87 x 438 x 600)	63.9 (29.0)
PW9130i3000R-XL2U	103006463-6591	3000/2700	C20	(8) C13, (1) C19	3.4 x 17.2 x 23.6 (87 x 438 x 600)	65.0 (29.5)
Extended battery modules						
PW9130N1000R-EBM2U ⁵	103006458-6591	NA	NA	NA	3.4 x 17.2 x 17.7 (87 x 438 x 450)	48.7 (22.1)
PW9130N1500R-EBM2U ⁶	103006459-6591	NA	NA	NA	3.4 x 17.2 x 17.7 (87 x 438 x 450)	62.0 (28.1)
PW9130N3000R-EBM2U ⁷	103006460-6591	NA	NA	NA	3.4 x 17.2 x 23.6 (87 x 438 x 600)	90.6 (41.1)

¹ Input cord length is 6 ft
² Rack models occupy 2U of rack space and fit into 19-inch racks
³ C14, w/detachable L6-20P
⁴ C20, w/detachable L6-20P
⁵ This EBM works with 700/1000 VA models, where available
⁶ This EBM works with 1500 VA model
⁷ This EBM works with 2000/2500/3000 VA models, where available

Additional notes: When high voltage 9130 is used at 208V, derate power by 10% and 20% at 200V. When low voltage 9130 is used at 110V, derate power by 10% and 20% at 100V.

Comprehensive Eaton services available for 9130 Rack products

- Warranty+ extended warranties—3 or 5 years total
- On-site service plans for startups and preventive and corrective maintenance

Visit www.eaton.com/9130rm for details.

Technical specifications¹

General		Communications																						
User interface	Graphical LCD with blue backlight and text in English, French, German, Russian and Spanish	Serial port	RS-232 standard, for interface to power management software																					
LEDs	Four status-indicating LEDs	USB port	HID standard, for communicating with Windows 98, XP, ME and Vista computers																					
Topology	True online, double-conversion	Relay output	Common alarm standard																					
Diagnostics	Full system self-test	Communications slot	Optional communication slots (BD Slot)																					
UPS bypass	Automatic bypass	Optional communication cards	SNMP/Web card for direct control and monitoring in SNMP-based networks, monitoring of UPS status and meters through Web browser interface Relay card for integration to industrial environment and building management systems, remote shutdown for IBM AS/400 systems																					
Dimensions	See models table	Environmental																						
Rail kit	4-post rail kit included with all rackmount units	Safety markings	120/208V: UL, CUL, VCCI 230V: CE, GS																					
EBMs	Ship with a rail kit	EMC markings	120V: FCC Class B, EN55022 Class B (1.5 kVA and below); FCC Class A, EN55022 Class A (2.0 kVA and above) 230V: CE (per IEC/EN62040-2: Emissions, Category C1; Immunity, Category C2)																					
Remote Emergency Power-off (REPO)	Emergency shutdown control through the REPO port	Audible noise	<50 dB																					
Electrical input		Ambient operating temperature	0°C (32°F) to +40°C (104°F)																					
Nominal voltage	120V, 208V, 220–240V	Storage temperature	-20°C (-4°F) to +40°C (104°F) with batteries and -25°C (-13°F) to +55°C (131 °F) without batteries																					
Voltage range	120V: 90–138 Vac 208/230V: 160–276 Vac	Relative humidity	5–90% non-condensing																					
Power draw of UPS	700: 5.8A @120V, 3.4A @208V, 3.0A @230V 1000: 8.3A @120V, 4.8A @208V, 4.3A @230V 1500: 12.5A @120V, 7.2A @208V, 6.5A @230V 2000: 16.6A @120V, 9.6A @208V, 8.7A @230V 2500: 20.8A @208V, 10.9A @230V 3000: 14.4A @208V, 13.0A @230V	Heat dissipation for all voltages: 208–240V and 120V																						
Dedicated circuit breaker rating	120V: 700–1500 VA: 15A 2000 VA: 20A 2500–3000 VA: 30A 208/230V: 700–2000 VA: 10A 3000 VA: 16A	<table border="1"> <thead> <tr> <th>9130 model</th> <th>Normal mode, BTUs/hr</th> <th>On battery, BTUs/hr</th> </tr> </thead> <tbody> <tr> <td>700 VA</td> <td>350</td> <td>554</td> </tr> <tr> <td>1000 VA</td> <td>500</td> <td>674</td> </tr> <tr> <td>1500 VA</td> <td>750</td> <td>1,011</td> </tr> <tr> <td>2000 VA</td> <td>838</td> <td>1,348</td> </tr> <tr> <td>2500 VA</td> <td>1,047</td> <td>1,463</td> </tr> <tr> <td>3000 VA</td> <td>1,257</td> <td>1,755</td> </tr> </tbody> </table>		9130 model	Normal mode, BTUs/hr	On battery, BTUs/hr	700 VA	350	554	1000 VA	500	674	1500 VA	750	1,011	2000 VA	838	1,348	2500 VA	1,047	1,463	3000 VA	1,257	1,755
9130 model	Normal mode, BTUs/hr	On battery, BTUs/hr																						
700 VA	350	554																						
1000 VA	500	674																						
1500 VA	750	1,011																						
2000 VA	838	1,348																						
2500 VA	1,047	1,463																						
3000 VA	1,257	1,755																						
Frequency	50/60 Hz																							
Frequency range	45–65 Hz																							
Electrical output																								
Power factor	0.9																							
On utility voltage regulation	±3% of nominal																							
On battery voltage regulation	±3% of nominal																							
Efficiency	>95% in high-efficiency mode; >86% in online mode																							
Frequency regulation	±3% Hz online																							
Load crest factor	3 to 1																							
Voltage waveform	Sine wave																							
Load segments	Two configurable, individually controlled receptacles																							
Battery																								
Battery type	VRLA 12V/9 Ah (both internal and external)																							
Battery runtime	>3 minutes with internal batteries @100% load																							
Battery replacement	Hot-swappable internal and external batteries																							
Start-on-battery	Allows start of UPS without utility input																							

¹ Due to continuing product improvement programs, specifications are subject to change without notice.

The 9130 is part of the UPSgrade™ program coming in Q2 2009.



UNITED STATES
8609 Six Forks Road
Raleigh, NC 27615 U.S.A.
Toll Free: 1.800.356.5794

www.eaton.com/powerquality

CANADA
Ontario: 416.798.0112
Toll free: 1.800.461.9166

LATIN AMERICA
Argentina: 54.11.4124.4000
Brazil: 55.11.3616.8500
Caribbean: 1.949.452.9610
Mexico & Central America: 52.55.9000.5252
South Cone: 54.11.4343.6323

EUROPE/MIDDLE EAST/AFRICA
Denmark: 45.3686.7910
Finland: 358.94.52.661
France: 33.1.6012.7400
Germany: 49.0.7841.604.0
Italy: 39.02.66.04.05.40
Norway: 47.23.03.65.50
Portugal: 55.11.3616.8500
Sweden: 46.8.598.940.00
United Kingdom: 44.1753.608.700

ASIA PACIFIC
Australia: 61.2.9693.9366
New Zealand: 64.0.3.343.3314
China: 86.21.6361.5599
HK/Korea/Taiwan: 852.2745.6682
India: 91.11.2649.9414 to 18
Singapore/SEA: 65.6825.1668

Eaton, Powerware, ABM, LanSafe, UPSgrade and PowerChain Management are trade names, trademarks, and/or service marks of Eaton Corporation or its subsidiaries and affiliates. All other trademarks are property of their respective owners.



Powering Business Worldwide

© 2009 Eaton Corporation
All Rights Reserved
Printed in USA
9130RFXA
April 2009